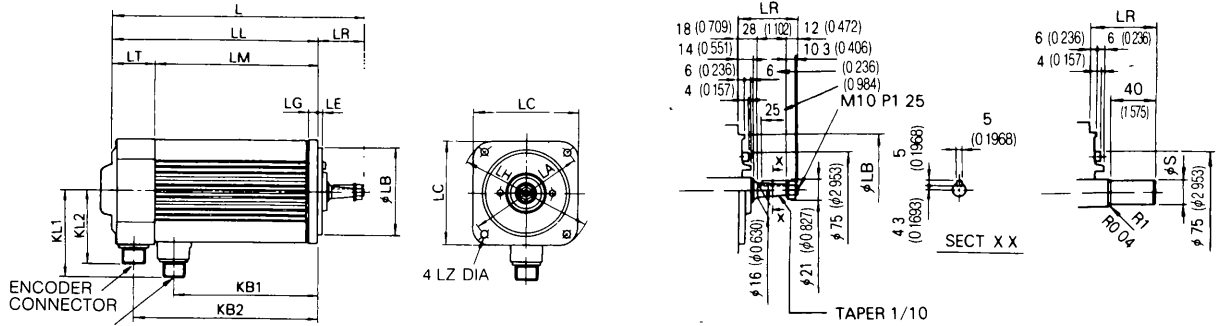


(2) F Series

Dimensions in mm (inches)

• Standard Type

Drawing 1 USAFED-05LS1, -09LS1 (Taper Shaft), -13LS2 (Straight Shaft)

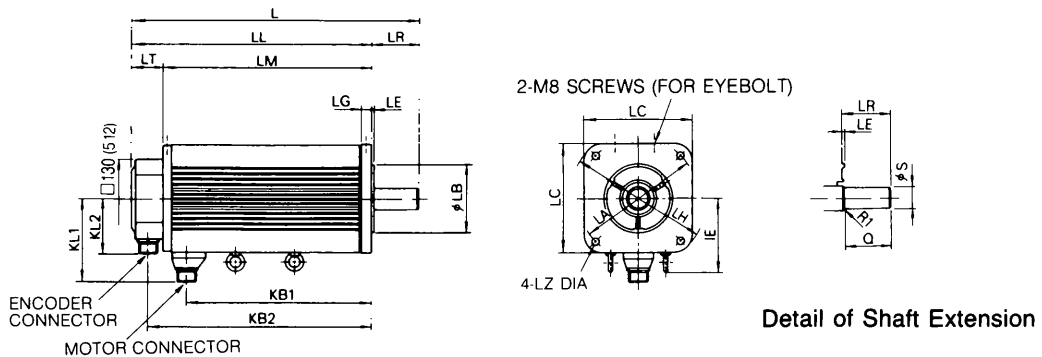


Notes

- 1 Plug and clamp are not attached for receptacle connection
- 2 Key and keyway comply with JIS B 1301-1976 (Parallel key, keyway common class)
- 3 Motor should be mounted with connectors down

For -05LS1, -09LS1 For -13LS2
Detail of Shaft Extension

Drawing 2 USAFED-20LS2 to -44LS2 (Straight Shaft)



Notes

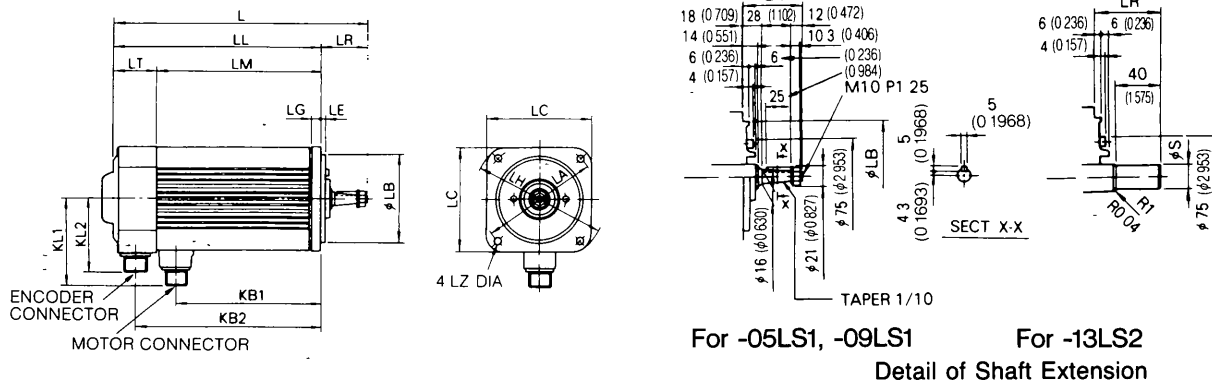
- 1 Plug and clamp are not attached for receptacle connection
- 2 Motor should be mounted with connectors down



(3) G Series
 • Standard Type

Dimensions in mm (inches)

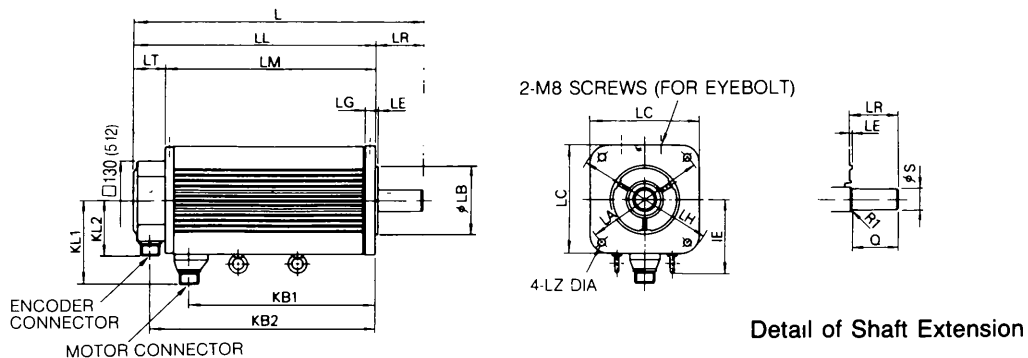
Drawing 1 USAGED-05LS1, -09LS1 (Taper Shaft), -13LS2 (Straight Shaft)



Notes .

- 1 Plug and clamp are not attached for receptacle connection
- 2 Key and keyway comply with JIS B 1301-1976
 (Parallel key, keyway common class)
- 3 Motor should be mounted with connectors down

Drawing 2 USAGED-20LS2 to -44LS2 (Straight Shaft)



Notes .

- 1 Plug and clamp are not attached for receptacle connection
- 2 Motor should be mounted with connectors down