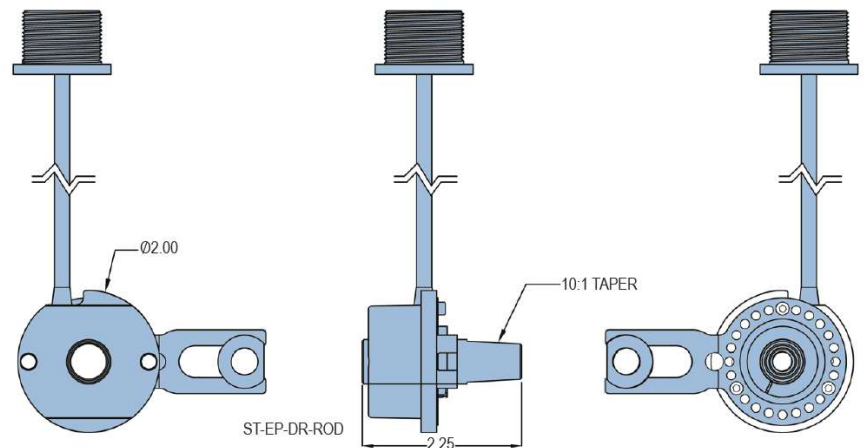


# ST-EN-DR-ROD



Our ST-EN-DR-ROD is a drop-in replacement for the Heidenhain ROD320 encoder. It is designed to provide precision feedback control for Siemens 1FT series Simodrive motors. It features a tapered shaft and custom flex mount. It comes in many line counts; 2,000, 2,500, or 5,000 CPR, 9" of cable and a 17 pin connector with the correct Heidenhain pinout.

## ST-EN-DR-ROD Dimensions



## ST-EN-DR-ROD SPECIFICATIONS

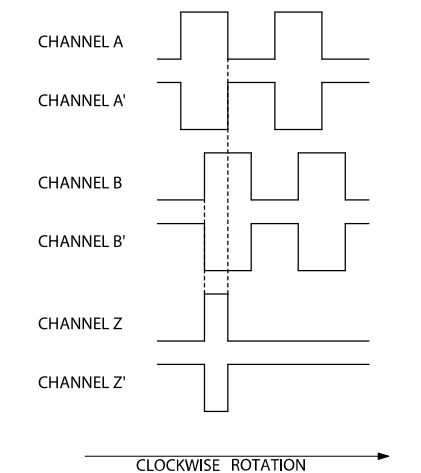
### Electrical

Input Voltage .....4.5 to 28 VDC  
 Input Current .....100 mA max  
 Output Format .....TTL  
 Output Types.....Line Driver

### Mechanical

Max Shaft Speed.....7000 RPM  
 Electrical Conn.....9" cable with 17 pin MS connector  
 Housing.....Polished Aluminum  
 Mounting.....Flex Arm Mount standard

## ST-EN-DR-ROD Waveform Diagram



NOTE: ALL DEGREE REFERENCES ARE ELECTRICAL DEGREES

## ST-EN-DR-ROD Wiring Table

PIN	FUNCTION
A	CHANNEL A
B	CHANNEL B
C, J, K	+VDC
D	CHANNEL A'
E	CHANNEL B'
F	CHANNEL Z
G	CHANNEL Z'
H	SHIELD
N, P, T	COMMON
R, S	BRIDGE
L	N/C

(866)807-3786 • Sales@Servotechusa.com

Servotech Inc • 478 Timber Ridge Rd Middletown, CT 06457