

# ST-EN-DR-1XP



## ST-EN-DR-1XP SPECIFICATIONS

### Electrical

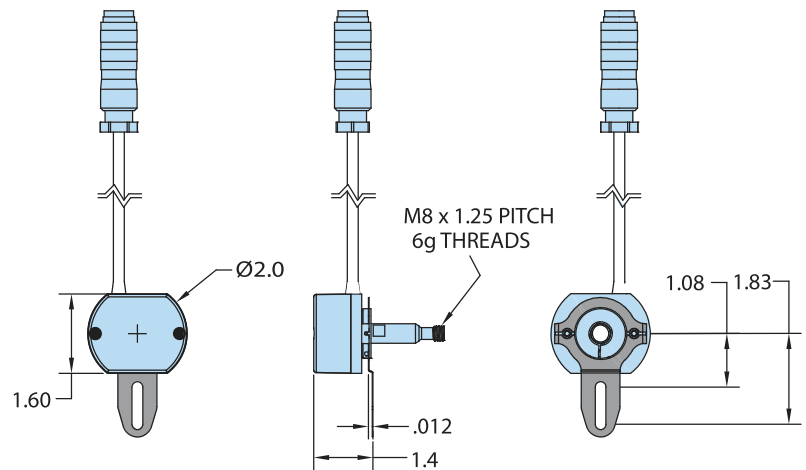
Input Voltage .....4.5 to 28 VDC  
 Input Current .....100 mA max  
 Output Format .....TTL  
 Output Types.....Line Driver

### Mechanical

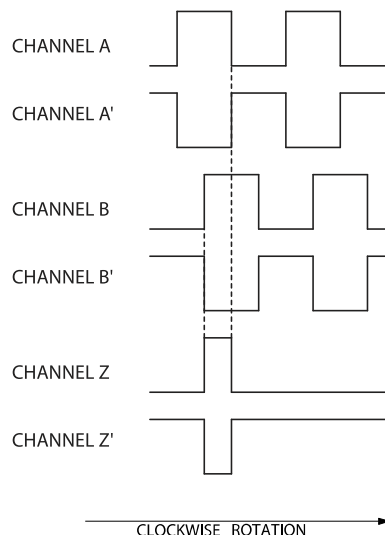
Max Shaft Speed.....7000 RPM  
 Electrical Conn.....18" cable with 12 pin connector  
 Housing.....Polished Aluminum  
 Mounting.....Flex Arm Mount standard

Designed as a drop in replacement for the Siemens 1XP8001 encoder, the ST-EN-DR-1XP is ready for delivery. The unique threaded shaft made this encoder hard to find but not for Servotech. Configurations can be ordered with either 1024 or 2048 CPR, with a 12 pin connector at the end of 18" of cable.

## ST-EN-DR-1XP Dimensions



## ST-EN-DR-1XP Waveform Diagram



NOTE: ALL DEGREE REFERENCES ARE ELECTRICAL DEGREES

## ST-EN-DR-1XP Wiring Table

PIN	FUNCTION
A	CHANNEL B'
B	+VDC
C	CHANNEL Z
D	CHANNEL Z'
E	CHANNEL A
F	CHANNEL A'
G	+VDC
H	CHANNEL B
J	N/C
K	COMMON
L	COMMON
M	+VDC

(866)807-3786 • Sales@Servotechusa.com

Servotech Inc • 478 Timber Ridge Rd Middletown, CT 06457