

ST-EP-DR-86A series Extra Heavy Duty Machine Tool Encoder



Features

- Standard 68mm Diameter Package
- Up to 3000 PPR, Opto-Asic Technology
- Square Flange Mounting
- IP65 Double O-Ring Sealed

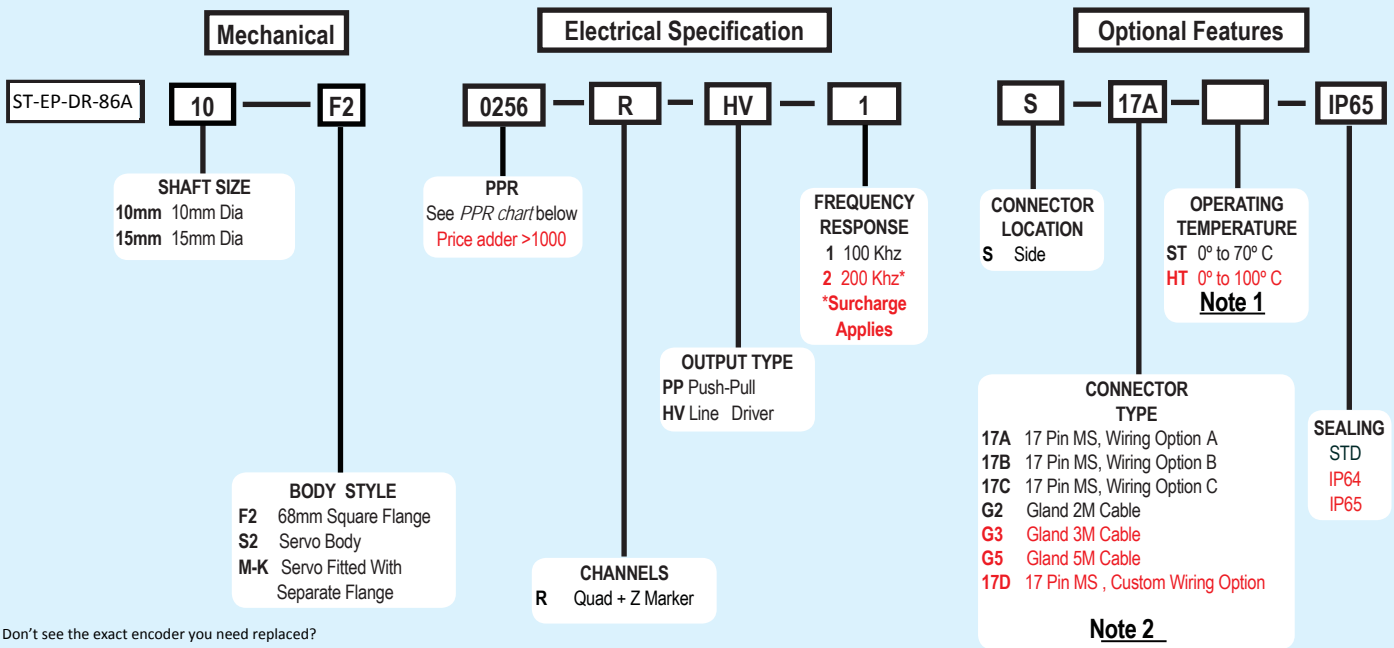
ST-EP-DR-86A series encoders is an extra heavy duty unit which employs a highly reliable Opto-Asic encoder module mounted within a rugged mechanical housing. The heavy duty sealed bearings, together with double O-Ring sealing makes this encoder a serious and reliable alternative to a wide range of machine tool encoders, and at an advantageous price.

Common Applications

Motion Control Feedback, Conveyors, Elevator Controls, Machine Control, Food Processing, Process Control, Robotics, Material Handling, Textile Machines

ST-EP-DR-86A Ordering Guide

Red type indicates price adder options. Not all configuration combinations may be available. Contact Customer Service for details.



Don't see the exact encoder you need replaced?
Contact us and we will be happy to cross-reference any encoder that you need replaced.
(866) 807 3786

Servotech Part Number:	CPR
ST-EP-DR-86A-1024-N-15	1024
ST-EP-DR-86A-2048-N-10	2048

This Direct Replacement Encoder provided by:



Servotech Inc
478 Timber Ridge Road
Middletown CT, 06457
(866) 807 3786
Sales@servotechUSA.com

Model ST-EP-DR-86A PPR Options:

0500 0512 1000 1024* 1250 2000 2048* 2500 2540
3000

*In house ready to ship CPR counts; call for other CPR counts

NOTES:

- 1 24 VCC max for high temperature option.
- 2 For Non-Standard Cable Lengths Contact the sales of fice.

